

Pressure gauge

stainless steel vibration damped movement
ATEX-design case dim 100 mm



E 02.08.08

Ed.23.02

Application	Pressure gauge in stainless steel version with vibration damped movement. Suitable for aggressive media and environments. ATEX-design
Design	EN 837-1 ATEX
Series	2890
WIKA model	232.50.100 ATEX
Case size	Nominal size dim 100 mm
Accuracy	Class 1,0%
Case	Stainless steel 1.4301 with bayonet ring Option with case in stainless steel 316Ti Option with epoxy- or PTFE-coating
Window	Laminated safety glass. Option with polycarbonate
Pressure element	Stainless steel 316L
Movement	Vibration damped movement. Stainless steel
Dial	Aluminium, white with black lettering
Pressure unit	Bar. Option with unit bar/Pa, bar/psi, kPa, MPa, psi
Pressure connection	G3/8", G1/2" or 1/2"NPT male. Option G1/4" or 1/4"NPT Option with mounted restrictor
Mounting	Lower or back mount, also with back flange, front flange or triangular bezel with clamp
Ex ATEX	Explosion protection ATEX Ex h Gas II 2G Ex h IIC T6-T1 Gb X Dust II 2D Ex h IIIC T85°C-T450°C Db X
Ingress protection	IP 65 acc.to EN 60529/IEC 529
Pressure limitation	Full scale value by steady pressure 90% of full scale value by fluctuating pressure By short time pressure 1,3 x of full scale value Option with overpressure safe 2 x full scale value
Permissible temperature	Medium temperature max -40 till +200°C Ambient temperature max -40 till +60°C
Certificates	Certificate EN 10204 can be delivered as options Test report wetted parts EN 10204-2.2 Inspection certificate wetted parts EN 10204-3.1
Calibration	Option with accredited calibration with calibration certificate according to ISO/IEC 17025:2018 (SWEDAC)
Production options	Design acc.to NACE Sour Gas Service Design Degreased for oxygen services Silicone free design Dial with colored sectors or with customer logo



2890
Lower mount



2891
Back mount



2895
Lower mount
back flange



2897
Back mount
front flange



2898
Back mount
bezel and clamp



2899
Lower mount
front flange

Pressure gauge

stainless steel vibration damped movement

ATEX-design case dim 100 mm



E 02.08.08



Pressure range	Interval	Divisions
0-0,6 bar	0,01	60
0-1 bar	0,02	50
0-1,6 bar	0,05	32
0-2,5 bar	0,05	50
0-4 bar	0,1	40
0-6 bar	0,1	60
0-10 bar	0,2	50
0-16 bar	0,5	32
0-25 bar	0,5	50
0-40 bar	1,0	40
0-60 bar	1,0	60
0-100 bar	2,0	50
0-160 bar	5,0	32
0-250 bar	5,0	50
0-400 bar	10,0	40
0-600 bar	10,0	60
0-1000 bar	20,0	50
-1/0 bar	0,02	50
-1/+1,5 bar	0,05	50
-1/+3 bar	0,1	40
-1/+5 bar	0,1	60
-1/+9 bar	0,2	50
-1/+15 bar	0,5	50
-1/+24 bar	0,5	50

Accuracy

Max permissible error 1,0%

The accuracy is expressed as a percentage of full scale range. Permissible error 1,0% will cover 0% till 100% of scale range with a reference temperature of +20°C.

Ex. Pressure range 0-10 bar has an error of $\pm 0,1$ bar

Temperature effect

Temperature of the measuring system over or under the reference temperature +20°C will effect the accuracy with 0,4 percentage per +10°C. With a medium temperature of +40°C the accuracy will be $\pm 1,8\%$.

Alternative design

Liquid filling

Case with liquid filling

Type 2940 datasheet E02.09.04

Low pressure

Pressure range < 0-0,6 bar

Pressure range from 2,5 mbar to 400 mbar

Type 2860 datasheet E02.17.01

Test gauge

Pressure gauge for testing and calibration 0,6%

Type 332.50 enligt datablad PM 03.06

Safety version

Safety version EN 837-1 (S3) with

solid baffle wall behind the dial, blow out back

Type 232.30.100 datasheet E02.10.01

Measurement of oxygen

Degreased for oxygen services

Type 2840 FS datasheet E02.08.05

With electrical contact

One or two electrical contact mounted in the case

Max- and/or minfunction

Type PGS23.100 datasheet E02.53.01






Pressure gauge

stainless steel vibration damped movement

ATEX-design case dim 100 mm



E 02.08.08

Code number case dim 100 mm unit Bar					
	2890	2890	2890	2895	2895
Mounting	Lower	Lower	Lower	Back flange	Back flange
Connection	G3/8"	G1/2"	1/2"NPT	G3/8"	G1/2"
0-0,6 bar	28904001	28904401	28905001	28954001	28954401
0-1 bar	28904002	28904402	28905002	28954002	28954402
0-1,6 bar	28904003	28904403	28905003	28954003	28954403
0-2,5 bar	28904004	28904404	28905004	28954004	28954404
0-4 bar	28904006	28904406	28905006	28954006	28954406
0-6 bar	28904007	28904407	28905007	28954007	28954407
0-10 bar	28904008	28904408	28905008	28954008	28954408
0-16 bar	28904011	28904411	28905011	28954011	28954411
0-25 bar	28904013	28904413	28905013	28954013	28954413
0-40 bar	28804015	28904415	28905015	28954015	28954415
0-60 bar	28904017	28904417	28905017	28954017	28954417
0-100 bar	28904019	28904419	28905019	28954019	28954419
0-160 bar	28904020	28904420	28905020	28954020	28954420
0-250 bar	28904022	28904422	28905022	28954022	28954422
0-400 bar	28904024	28904424	28905024	28954024	28954424
0-600 bar	28904025	28904425	28905025	28954025	28954425
-1/0 bar	28904040	28904440	28905040	28954040	28954440
-1/+1,5 bar	28904066	28904466	28905066	28954066	28954466
-1/+3 bar	28904067	28904467	28905067	28954067	28954467
-1/+5 bar	28904068	28904468	28905068	28954068	28954468
-1/+9 bar	28904069	28904469	28905069	28954069	28954469
-1/+15 bar	28904071	28904471	28905071	28954071	28954471
-1/+24 bar	28904072	28904472	28905072	28954072	28954472

Pressure gauge

stainless steel vibration damped movement
ATEX-design case dim 100 mm




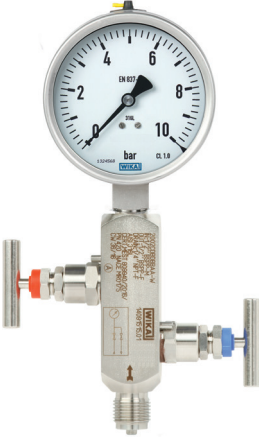






E 02.08.08

Pressure gauge with Instrument Needle valve and Block-and-bleed valve

Material body stainless steel 316L
With or without mounting bracket hole
Material packing PTFE or Graphite
Nominal pressure 6000 psi / 420 bar

With or without vent connection
NACE Sour Gas Service
Inspection certificate 3.1 EN 10204
all wetted parts material

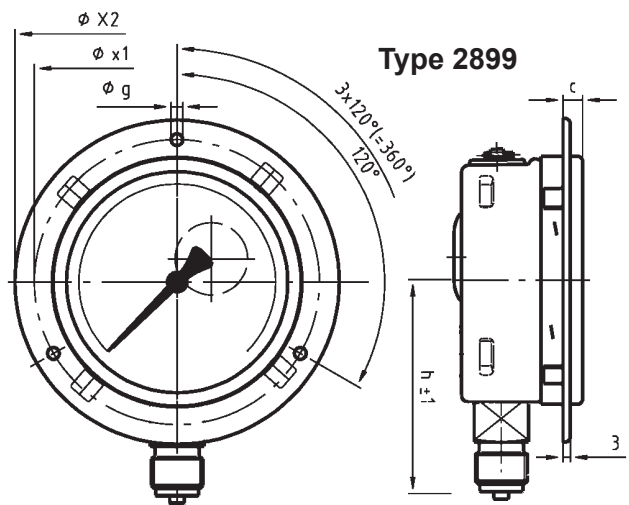
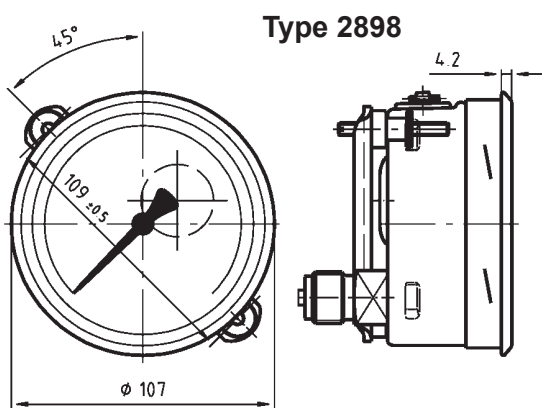
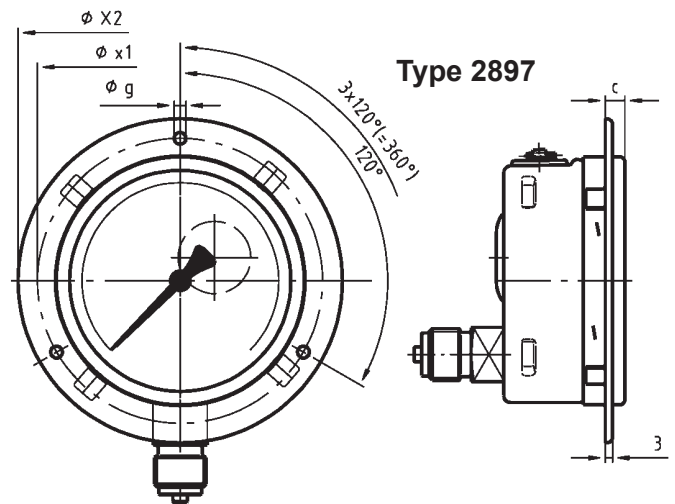
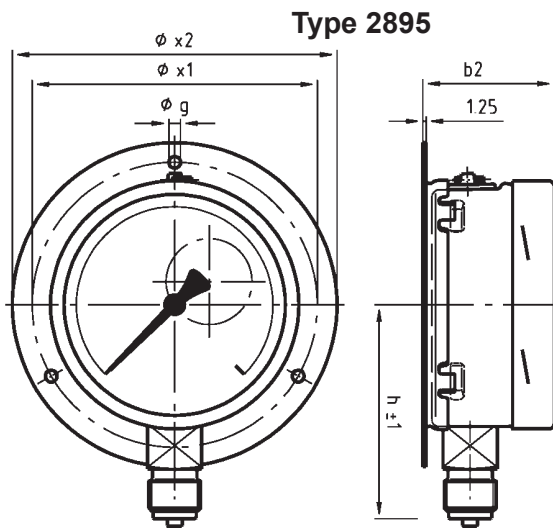
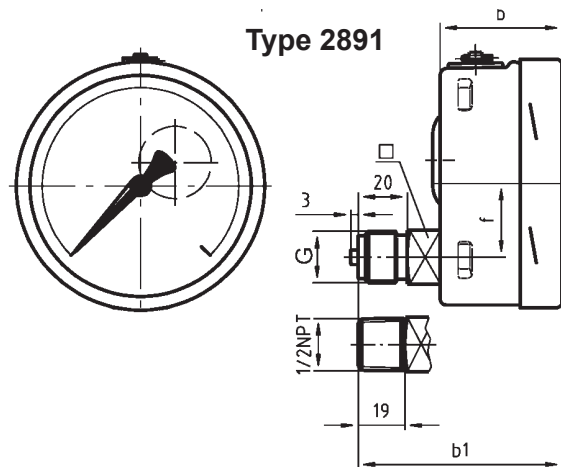
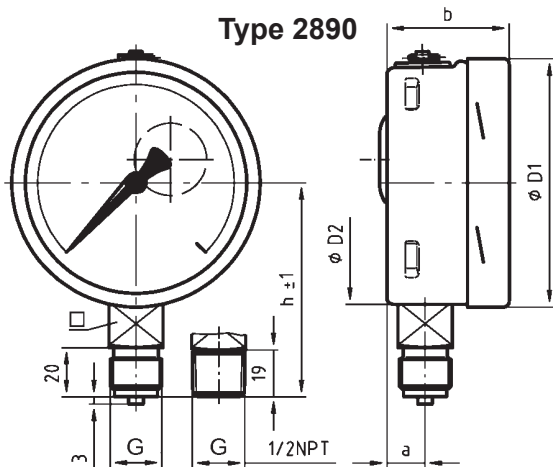
IV10	IV11	IV201	IV202
Needle valve	Needle valve	Block-and-bleed valve	Block-and-bleed valve
Standard	Multiport	Square form angled	Square form in-line
Female x female/male	Female x female/male	Female x female/male	Female x female/male
			

IV212	IV211	IVM2	IBF1
Block-and-bleed valve	Block-and-bleed valve	Monoflange	Monoblock
Flat form in-line	Flat form angled	Flange connection	Flange connection
Female x female	Female x female	Different versions	Different versions
			

Pressure gauge

stainless steel vibration damped movement
ATEX-design case dim 100 mm

E 02.08.08



Dim Ø	a	b	b ₁	b ₂	D ₁	D ₂	x1	x2	g	h±1	f	c	kg	G
100	15,5	49,5	83	53,5	101	99	116	132	4,8	87	30	8	0,6	G3/8-G1/2-1/2NPT
160	15,5	49,5 ¹⁾	83 ¹⁾	53,5	161	159	178	196	5,8	118	50	10	1,1	G3/8-G1/2-1/2NPT

¹⁾ From 100 bar b = 65,5 mm and b₁ = 99 mm